



US008499581B2

(12) **United States Patent**
Shah et al.

(10) **Patent No.:** **US 8,499,581 B2**

(45) **Date of Patent:** ***Aug. 6, 2013**

(54) **GAS CONDITIONING METHOD AND APPARATUS FOR THE RECOVERY OF LPG/NGL(C2+) FROM LNG**

FOREIGN PATENT DOCUMENTS

WO	0237041 A2	5/2002
WO	03095914 A1	11/2003
WO	2006004723 A1	1/2006

(75) Inventors: **Kamal Shah**, Sugar Land, TX (US);
Girish Joshi, Sugar Land, TX (US)

OTHER PUBLICATIONS

(73) Assignee: **IHI E&C International Corporation**,
Houston, TX (US)

Wankat, P.C., et al., "Two-Feed Distillation: Same-Composition Feeds with Different Enthalpies", *Ind. Eng. Chem. Res. ACS*, 1993, vol. 32, No. 12, pp. 3061-3067.

(*) Notice: Subject to any disclaimer, the term of this patent is extended or adjusted under 35 U.S.C. 154(b) by 1642 days.

Primary Examiner — Allen Flanigan

Assistant Examiner — Jason Thompson

This patent is subject to a terminal disclaimer.

(74) *Attorney, Agent, or Firm* — Rothwell, Figg, Ernst & Manbeck, P.C.

(21) Appl. No.: **11/868,155**

(57) **ABSTRACT**

(22) Filed: **Oct. 5, 2007**

A method and apparatus for conditioning imported liquefied natural gas to conform to a particular pipeline heating value specification and recovery of liquefied petroleum gas or natural gas liquids from liquefied natural gas are disclosed. An input stream containing liquefied natural gas is split into a direct stream and a bypass stream. The direct stream is heated in a cross-exchanger to produce a heated rich liquefied natural gas stream, which is split into a primary column feed and a secondary column feed. At least a major portion of the secondary column feed is vaporized to produce a vaporized secondary column feed, which is expanded in an expander to produce a vaporized and expanded secondary column feed. A top feed, the primary column feed, and the vaporized and expanded secondary column feed are fractionated to produce an overhead product stream and a bottom product stream. The overhead product stream is compressed in a compressor coupled to the expander. At least a major portion of the compressed overhead product stream is condensed by cooling in the cross-exchanger to produce a compressed and condensed overhead product stream. A reflux stream of at least one of the compressed and condensed overhead product stream or an output stream is directed to a top of the fractionation unit as the top feed. The bypass stream is mixed with a balance stream of the compressed and condensed overhead product stream to produce the output stream, which is vaporized to produce a conditioned natural gas product.

(65) **Prior Publication Data**

US 2008/0083246 A1 Apr. 10, 2008

Related U.S. Application Data

(60) Provisional application No. 60/849,783, filed on Oct. 6, 2006.

(51) **Int. Cl.**
F25J 3/00 (2006.01)

(52) **U.S. Cl.**
USPC **62/620**; 62/618; 62/619; 62/621

(58) **Field of Classification Search**
USPC 62/619, 620, 613, 612, 617, 618,
62/611

See application file for complete search history.

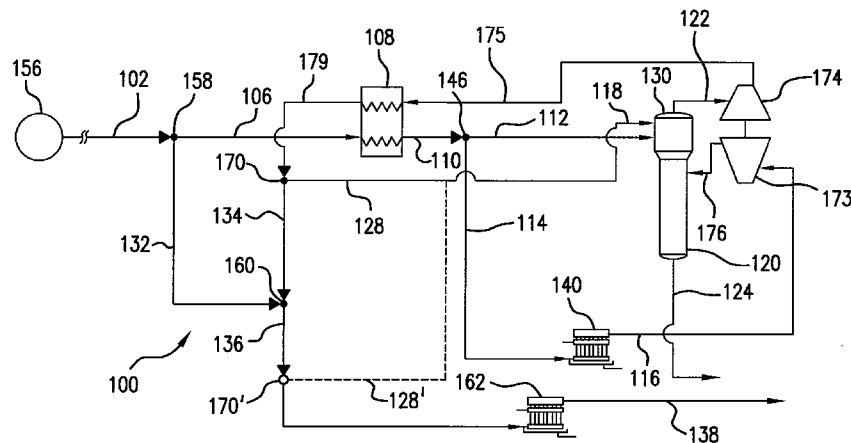
(56) **References Cited**

U.S. PATENT DOCUMENTS

2,437,909 A	3/1948	Cooper
3,230,967 A	1/1966	Castro

(Continued)

24 Claims, 4 Drawing Sheets



U.S. PATENT DOCUMENTS

3,367,122 A *	2/1968	Tutton	62/630	6,237,364 B1	5/2001	Stone	
3,657,895 A	4/1972	Phelps		6,311,516 B1 *	11/2001	Key et al.	62/619
3,675,431 A	7/1972	Jackson		6,360,545 B1	3/2002	Goldstone	
3,698,198 A	10/1972	Phelps		6,367,286 B1	4/2002	Price	
3,727,418 A	4/1973	Glazier		6,390,733 B1	5/2002	Burbage	
3,745,773 A	7/1973	Cunningham		6,405,561 B1	6/2002	Mortko et al.	
3,824,943 A	7/1974	Mo		6,510,706 B2	1/2003	Stone et al.	
3,899,988 A	8/1975	Menendez		6,564,579 B1	5/2003	McCartney	
3,984,059 A	10/1976	Davies		6,564,580 B2	5/2003	Bowen et al.	
4,188,157 A	2/1980	Vigander		6,604,380 B1 *	8/2003	Reddick et al.	62/620
4,202,648 A	5/1980	Kvamsdal		6,607,597 B2 *	8/2003	Sun et al.	118/309
4,209,267 A	6/1980	Gnaedinger		6,640,554 B2	11/2003	Emmer	
4,217,848 A	8/1980	Meyer-Haake		6,915,662 B2 *	7/2005	Wilkinson et al.	62/621
4,302,130 A	11/1981	Mo		6,964,181 B1	11/2005	Milios et al.	
4,314,776 A	2/1982	Palmer		7,069,743 B2 *	7/2006	Prim	62/620
4,365,576 A	12/1982	Cook		7,155,931 B2	1/2007	Wilkinson et al.	
4,395,157 A	7/1983	Cunningham		7,165,423 B2	1/2007	Winningham	
4,404,988 A	9/1983	Trammell		7,216,507 B2 *	5/2007	Cuellar et al.	62/620
4,422,804 A	12/1983	Gerwick, Jr. et al.		2003/0005722 A1 *	1/2003	Wilkinson et al.	62/613
4,498,412 A	2/1985	Liden		2003/0014995 A1 *	1/2003	Bowen et al.	62/623
4,535,639 A	8/1985	Bianchini		2003/0158458 A1 *	8/2003	Prim	585/800
4,617,039 A *	10/1986	Buck	62/621	2004/0045490 A1	3/2004	Goldbach	
5,114,451 A *	5/1992	Rambo et al.	62/623	2004/0261395 A1 *	12/2004	Engdahl	60/39,465
5,186,581 A	2/1993	Ngoc et al.		2005/0005636 A1 *	1/2005	Schroeder et al.	62/620
5,555,748 A	9/1996	Campbell et al.		2005/0061396 A1	3/2005	Landry et al.	
5,682,750 A	11/1997	Preston		2005/0066686 A1 *	3/2005	Wilkinson et al.	62/620
5,881,569 A	3/1999	Campbell et al.		2005/0155381 A1 *	7/2005	Yang et al.	62/620
5,904,910 A	5/1999	Stevens et al.		2006/0000234 A1 *	1/2006	Cuellar et al.	62/620

* cited by examiner

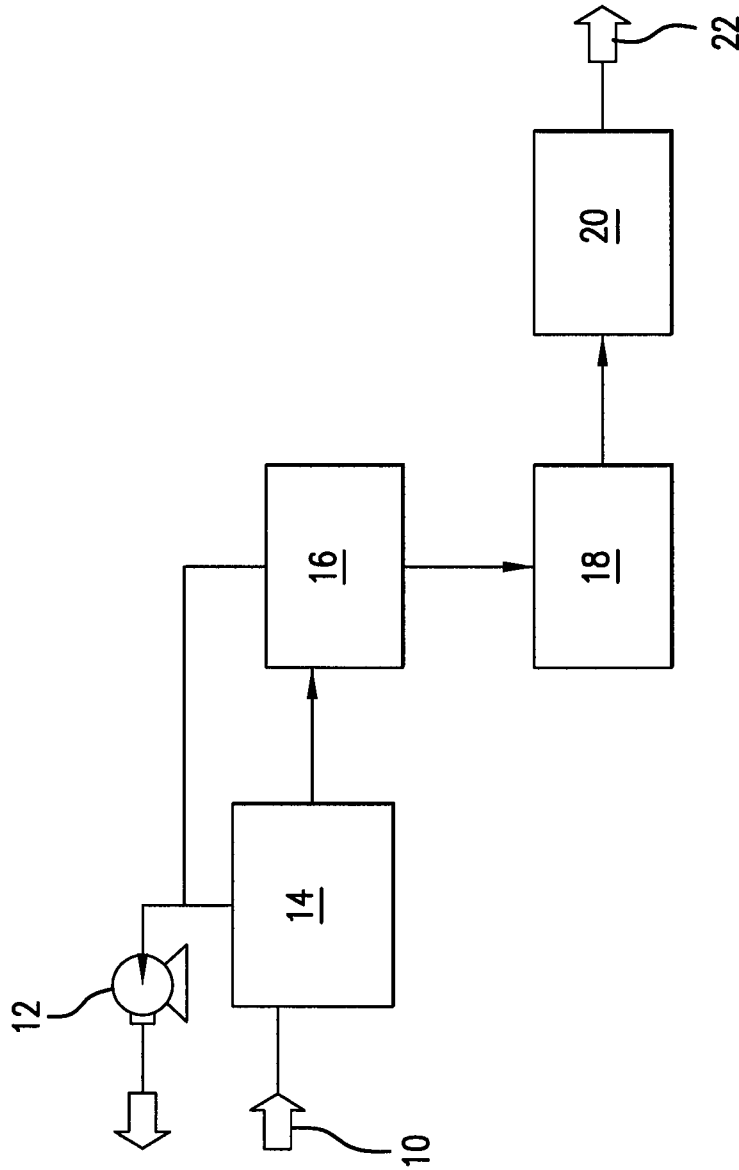


FIG. 1 PRIOR ART

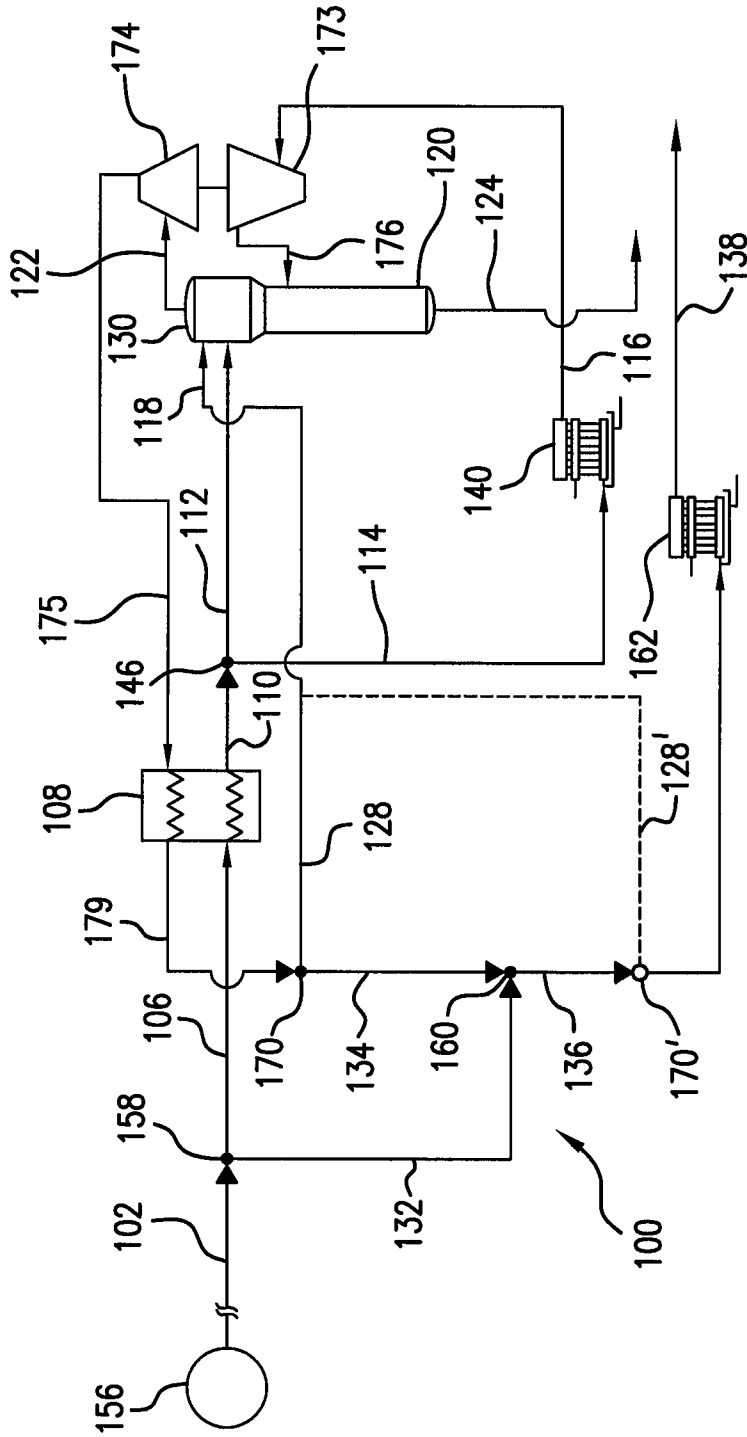


FIG. 2

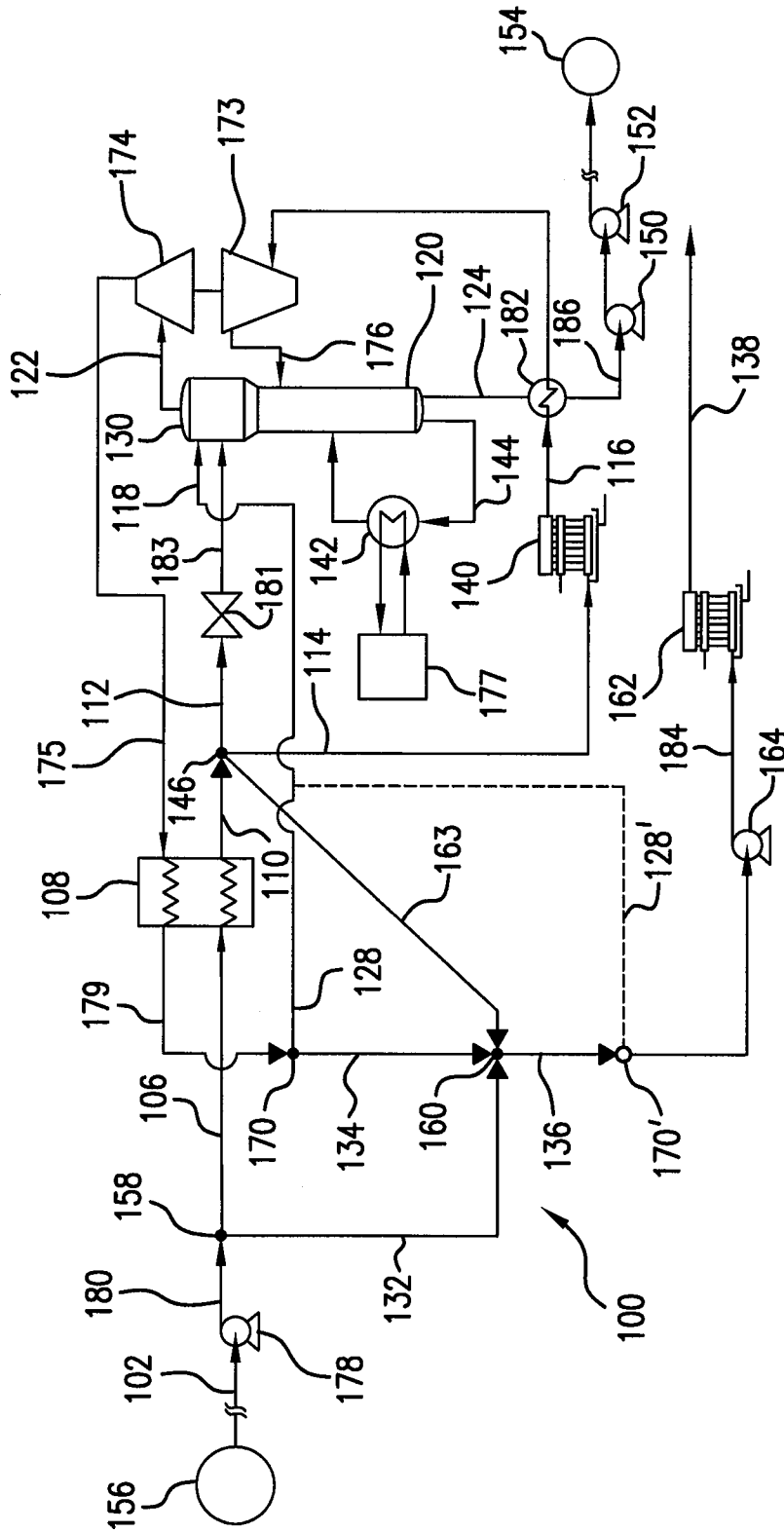


FIG. 3

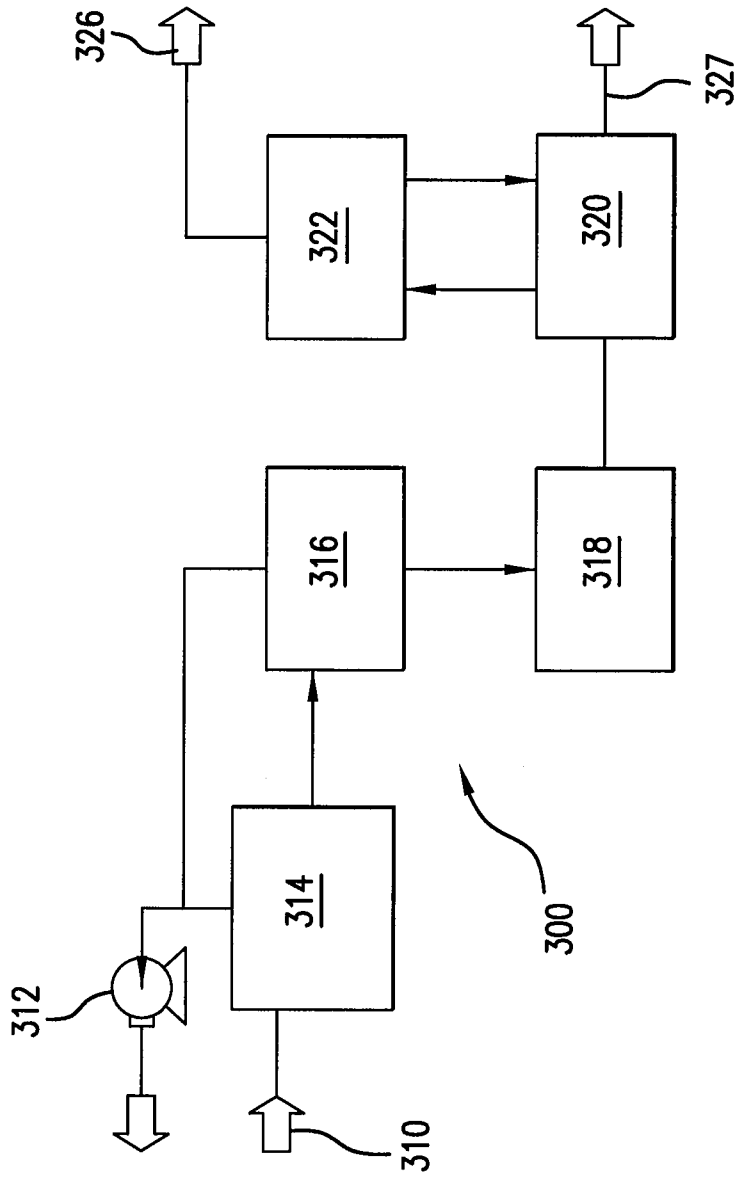


FIG.4

1

GAS CONDITIONING METHOD AND APPARATUS FOR THE RECOVERY OF LPG/NGL(C₂₊) FROM LNG

CROSS REFERENCE TO RELATED APPLICATION

The present application claims the benefit of U.S. Provisional Patent Application No. 60/849,783, filed on Oct. 6, 2006, which is incorporated herein by this reference.

BACKGROUND OF THE INVENTION

1. Field of the Invention

This invention relates to the field of liquefied natural gas (LNG) gas conditioning processes, and in particular to the recovery of liquefied petroleum gas (LPG) containing propane and heavier components or natural gas liquids (NGL) containing ethane and heavier components (C₂₊) from LNG.

2. Description of the Related Art

Natural gas is often produced at remote locations that are far from pipelines. An alternative to transporting natural gas through a pipeline is to liquefy the natural gas and transport it in special LNG tankers. An LNG handling and storage terminal is necessary to receive the imported liquefied natural gas and revaporize it for use. The re-vaporized natural gas may then be used as a gaseous fuel.

A typical LNG handling, storage and revaporization facility, such as the one shown in FIG. 1, may include an incoming stream of LNG 10, a ship vapor return blower 12, LNG storage and send out pumps 14, a boil off gas compression and condensation unit 16, LNG booster pumps 18, LNG vaporizers 20, and an outgoing stream to a natural gas pipeline 22.

Natural gas in general, and LNG in particular, is usually comprised mostly of methane (C₁). Natural gas may also, however, contain lesser amounts of heavier hydrocarbons such as ethane (C₂), propane (C₃), butanes (C₄) and the like, which are collectively known as C₂₊, or ethane plus.

Natural gas shipped over a pipeline, for example, may need to conform to a particular specification for heating value. Since various hydrocarbons in the imported LNG have various heating values, it is often necessary to separate some or all of the heavier hydrocarbons from the methane in the LNG so that the gaseous fuel resulting from vaporizing the LNG has the right heating value. Furthermore, heavier hydrocarbons have a higher commercial value as liquid products (for use as petrochemical feed stocks, for example) than as fuel, and it is thus often desirable to separate the heavier hydrocarbons from the methane.

A heating value specified by a pipeline may change over time. Some of the customers of the pipeline may be satisfied with lean natural gas, while others may be willing to pay for higher heating values. A natural gas recovery system in which all incoming LNG passes through a single point of entry, or even a plurality of symmetrical points of entry, may be unable to blend heating values to suit various pipeline specifications.

There is a need in the art for an improved method and apparatus for recovery of liquefied petroleum gas or natural gas liquids from liquid natural gas.

SUMMARY OF THE INVENTION

In accordance with one embodiment a method for recovery of liquefied petroleum gas or natural gas liquids from liquefied natural gas comprises: splitting an input stream comprising substantially rich liquefied natural gas into a direct stream and a bypass stream, heating said direct stream in a cross-

2

exchanger to produce a heated rich liquefied natural gas stream, splitting said heated rich liquefied natural gas stream into a primary column feed and a secondary column feed, vaporizing at least a major portion of said secondary column feed in a vaporizer to produce a vaporized secondary column feed, expanding said vaporized secondary column feed in an expander to produce a secondary column feed, fractionating a top feed, said primary column feed, and said vaporized and expanded secondary column feed in a fractionation unit to produce an overhead product stream and a bottom product stream, compressing said overhead product stream in a compressor which is coupled to said expander to produce a compressed overhead product stream, condensing at least a major portion of said compressed overhead product stream by cooling said compressed overhead product stream in said cross-exchanger to produce a compressed and condensed overhead product stream, directing part of it as a reflux stream of at least one of said compressed and condensed overhead product stream or an output stream to a top of said fractionation unit as said top feed, mixing said bypass stream with a balance stream of said compressed and condensed overhead product stream to produce said output stream, pumping and vaporizing said output stream to produce a conditioned natural gas suitable for delivery to a pipeline or for commercial use.

In a second aspect, an apparatus for recovery of liquefied petroleum gas or natural gas liquids from liquefied natural gas comprises: a fractionation unit for fractionating a top feed, a primary column feed, and a vaporized and expanded secondary column feed and producing an overhead product stream and a bottom product stream, a diverter for splitting an input stream comprising substantially rich liquefied natural gas into a direct stream and a bypass stream, a compressor for compressing said overhead product stream and producing a compressed overhead product stream, a cross-exchanger receiving said direct stream and heating said direct stream to produce a heated rich liquefied natural gas stream while condensing said compressed overhead product stream to produce a compressed and condensed overhead product stream, a diverter for splitting said heated rich liquefied natural gas stream into said primary column feed and a secondary column feed, a vaporizer for vaporizing said secondary column feed and producing a vaporized secondary column feed, an expander coupled to said compressor for expanding said vaporized secondary column feed and producing said vaporized and expanded secondary column feed, a diverter for directing a reflux stream of at least one of said condensed and compressed overhead product stream or an output stream to a top of said fractionation unit as said top feed, a mixer for mixing a bypass stream of said rich liquefied natural gas with a balance stream of said compressed and condensed overhead product stream to produce said output stream, and an output vaporizer for vaporizing said output stream to produce a conditioned natural gas suitable for delivery to a pipeline or for commercial use.

BRIEF DESCRIPTION OF THE SEVERAL VIEWS OF THE DRAWINGS

The accompanying drawings, which are incorporated herein and form part of the specification, illustrate various embodiments of the present invention and, together with the description, further serve to explain the principles of the invention and to enable a person skilled in the pertinent art to make and use the invention. In the drawings, like reference numbers indicate identical or functionally similar elements. A more complete appreciation of the invention and many of the attendant advantages thereof will be readily obtained as

the same becomes better understood by reference to the following detailed description when considered in connection with the accompanying drawings, wherein:

FIG. 1 is a schematic diagram of a vaporization process according to a related art;

FIG. 2 is a schematic diagram of a gas conditioning apparatus according to a first embodiment of the invention;

FIG. 3 is a schematic diagram of a gas conditioning apparatus according to alternate embodiments of the invention; and

FIG. 4 is a schematic diagram of an LNG handling and storage facility according to an embodiment of the invention.

DETAILED DESCRIPTION OF THE PREFERRED EMBODIMENTS

In FIG. 2 is shown a gas conditioning process employing an apparatus 100 for recovery of liquefied petroleum gas or natural gas liquids from liquefied natural gas according to a first embodiment of the invention. An input stream 102 comprised substantially of rich liquefied natural gas may enter apparatus 100 from a source 156. In one embodiment, source 156 is an LNG booster pumps discharge. In this embodiment, input stream 102 may enter apparatus 100 at a temperature in a range of -235° F. to -250° F. In this embodiment, input stream 102 preferably may enter apparatus 100 at a temperature of about -245° F. In this embodiment, input stream 102 may enter apparatus 100 at a pressure in a range of 700 psig to 1100 psig. In this embodiment, input stream 102 preferably may enter apparatus 100 at a pressure of about 900 psig. In another embodiment, source 156 is a pipeline. In this embodiment, input stream 102 may enter apparatus 100 at a temperature in a range of -240° F. to -255° F. In this embodiment, input stream 102 preferably may enter apparatus 100 at a temperature of about -250° F. In this embodiment, input stream 102 may enter apparatus 100 at a pressure in a range of 75 psig to 100 psig. In this embodiment, input stream 102 preferably may enter apparatus 100 at a pressure of about 88 psig. In one embodiment, a pressure of input stream 102 may remain substantially constant or decrease slowly as it travels from source 156 to apparatus 100. In this embodiment, no pump or compressor is present between source 156 and apparatus 100 to compress the rich LNG or otherwise raise its pressure substantially. This may be useful if the particular LNG terminal at which apparatus 100 is installed has no pumping equipment available to raise the pressure of input stream 102 substantially. This may also reduce the capital equipment expenditure necessary to retro-fit apparatus 100 to an existing LNG terminal.

In one embodiment, a diverter 158 may split input stream 102 into a direct stream 106 and a bypass stream 132. In this embodiment, diverter 158 may be a variable diverter, such as a motorized valve applied to either the conduit carrying direct stream 106 or the conduit carrying bypass stream 132. A ratio between the amount of input stream 102 sent through the conduit carrying direct stream 106 or the conduit carrying bypass stream 132 may then be adjusted by opening or closing the appropriate valve in substantial proportion to the flow desired. Diverter 158 may thus allow apparatus 100 to produce a mix of conditioned, lean LNG with unconditioned rich LNG. Such mixing will in turn allow a range of mixtures and heating values of gas to be produced, from nearly pure rich LNG to nearly pure lean LNG. Apparatus 100 may thus be flexible in the heating values of gases it produces relative to conventional LNG vaporization systems that send all of the rich LNG through the process.

A cross-exchanger 108 may receive direct stream 106 from diverter 158. In several embodiments, cross-exchanger 108 may be an opposite-flow heat exchanger or a cross-flow heat exchanger. In one embodiment, a pressure of direct stream 106 may remain substantially constant or decrease slowly as it travels from diverter 158 to cross-exchanger 108. In this embodiment, no pump or compressor is present between diverter 158 and cross-exchanger 108 to compress direct stream 106 or otherwise raise its pressure substantially.

In one embodiment, direct stream 106 of input stream 102 may flow through cross-exchanger 108. Cross-exchanger 108 may heat direct stream 106 to produce a heated rich liquefied natural gas stream 110. In one embodiment, said direct stream 106 of said input stream 102 is heated by absorbing heat from said compressed overhead product stream 175. In one embodiment, cross-exchanger 108 heats direct stream 106 of pressurized input stream 180 to a temperature in a range of -125° F. to -132° F. In a preferable embodiment, cross-exchanger 108 heats direct stream 106 of input stream 102 to a temperature of about -129° F. In one embodiment, a diverter 146 may split heated rich liquefied natural gas stream 110 into two streams: a primary column feed 112 and a secondary column feed 114.

Apparatus 100 may fractionate propane and heavier compounds contained in the rich LNG and recover a large portion of the ethane. Apparatus 100 may include a fractionation unit 120 for this purpose. In one embodiment, fractionation unit 120 may be a demethanizer. In another embodiment, fractionation unit 120 may be a distillation unit. In several embodiments, fractionation unit 120 may be a trayed column having approximately thirty trays, a packed column, or a combination of a packed and a trayed column. In one embodiment, fractionation unit 120 may fractionate natural gas liquid containing ethane, propane and heavier components or liquefied petroleum gas containing propane and heavier components from methane and lighter components in the rich LNG.

In one embodiment, fractionation unit 120 may have three feed streams and two product streams. A top feed stream, i.e. top feed 118, may be a reflux stream 128 and be substantially all liquid. A middle feed stream, i.e. primary column feed 112, may be a primary feed stream. In one embodiment, primary column feed 112 may be comprised substantially of liquid. A bottom feed stream, i.e. vaporized and expanded secondary column feed 176, may be a secondary feed stream. In one embodiment, vaporized and expanded secondary column feed 176 may be substantially pre-heated.

In one embodiment, fractionation unit 120 fractionates natural gas liquid containing ethane, propane and heavier components from methane and lighter components in top feed 118, primary column feed 112, and vaporized and expanded secondary column feed 176 to produce an overhead product stream 122 and a bottom product stream 124. Overhead product stream 122 may contain mostly methane and lighter components. In one embodiment, overhead product stream 122 may be comprised substantially of vapor. In another embodiment, overhead product stream 122 may be mostly methane. In one embodiment, overhead product stream 122 may exit fractionation unit 120 at a temperature in a range of -145° F. to -155° F. In a preferable embodiment, overhead product stream 122 may exit fractionation unit 120 at a temperature of about -150° F. In one embodiment, overhead product stream 122 may exit fractionation unit 120 at a pressure in a range of 300 psig to 360 psig. In a preferable embodiment, overhead product stream 122 may exit fractionation unit 120 at a pressure of about 330 psig. In one embodiment, overhead product stream 122 may exit fractionation unit 120 at a pressure in a range of 250 psig to 450 psig.

In one embodiment, the NGL stream (i.e. bottom product stream **124**) may contain mostly ethane, propane and heavier components. In one embodiment, bottom product stream **124** may be comprised substantially of natural gas liquids, such as C₂₊ hydrocarbons. In one embodiment, bottom product stream **124** may be a mixture of ethane, propane and heavier components fractionated from the rich LNG. In one embodiment, bottom product stream **124** may exit fractionation unit **120** at a temperature in a range of 54° F. to 70° F. In a preferable embodiment, bottom product stream **124** may exit fractionation unit **120** at a temperature of about 62° F. In one embodiment, bottom product stream **124** may exit fractionation unit **120** at a pressure in a range of 305 psig to 365 psig. In a preferable embodiment, bottom product stream **124** may exit fractionation unit **120** at a pressure of about 335 psig. In another embodiment, bottom product stream **124** may exit fractionation unit **120** at a pressure in a range of 250 psig to 450 psig. In another embodiment, bottom product stream **124** may be controlled by heat input to fractionation unit **120** to meet natural gas liquid pipeline specifications.

Primary column feed **112** may enter fractionation unit **120** directly at a temperature in a range of -140° F. to -150° F. Primary column feed **112** preferably may enter fractionation unit **120** directly at a temperature of about -145° F. Alternatively, primary column feed **112** may flow through a control valve that depressurizes the primary column feed, e.g., as shown in FIG. 3. Secondary column feed **114**, on the other hand, may pass through a vaporizer **140** and be vaporized and then pass through an expander **173** and be expanded to a temperature in a range of -14° F. to -57° F. before entering fractionation unit **120**. Secondary column feed **114** preferably may pass through a vaporizer **140** and be vaporized and then pass through an expander **173** and be expanded to about -35° F. before entering fractionation unit **120**. In one embodiment, vaporizer **140** may vaporize at least a major portion of secondary column feed **114** and produce vaporized secondary column feed **116**. In several embodiments, a heat source of vaporizer **140** may be seawater in the case of an open rack vaporizer, fuel gas in the case of a submerged combustion vaporizer, or an external heating medium in the case of an intermediate fluid vaporizer.

In one embodiment, expander **173** may expand vaporized secondary column feed **116** and produce vaporized and expanded secondary column feed **176**. Expander **173** expands vaporized secondary column feed **116** to a pressure in a range of 300 psig to 370 psig. Expander **173** preferably expands vaporized secondary column feed **116** to a pressure of about 335 psig. The fractionation unit **120** may thus have lower operational pressure and therefore require lower heat input, reducing a re-boiler **142** duty of fractionation unit **120** (i.e., heating medium **177** temperature), and increasing the energy efficiency of the apparatus. In one embodiment, fractionation unit **120** may have an operational pressure in a range of 300 psig to 370 psig. In a preferable embodiment, fractionation unit may have an operational pressure of 335 psig. Apparatus **100** may also include a reboiler that adds heat to a bottom re-boil stream from fractionation unit **120**, e.g., as shown in FIG. 3.

In one embodiment, compressor **174** is coupled to expander **173** and compresses overhead product stream **122** and produces compressed overhead product stream **175**. By coupling compressor **174** to expander **173**, expansion of vaporized secondary column feed **116** in expander **173** powers compressor **174**, thereby reducing power consumption of the gas conditioning apparatus **100**, while at the same time allowing fractionation unit **120** to have a lower operational pressure. In one embodiment, compressor **174** compresses

overhead product stream **175** to a pressure in a range of 485 psig to 520 psig. In a preferred embodiment, compressor **174** compresses overhead product stream **175** to a pressure of about 503 psig.

Cross-exchanger **108** may condense at least a major portion of compressed overhead product stream **175** into lean LNG as well as preheat direct stream **106**. Cross-exchanger **108** may condense compressed overhead product stream **175** by cooling compressed overhead product stream **175** to produce a compressed and condensed overhead product stream **179**. In one embodiment, cross-exchanger **108** may cool compressed overhead product stream **175** by rejecting heat from compressed overhead product stream **175** to direct stream **106**. In one embodiment, cross-exchanger **108** cools compressed overhead product stream **175** to a temperature in a range of -129° F. to -135° F. In a preferred embodiment, cross-exchanger **108** cools compressed overhead product stream **175** to a temperature of about -132° F.

In one embodiment, cross-exchanger **108** may heat direct stream **106** with heat absorbed from compressed overhead product stream **175** and produce heated rich liquefied natural gas stream **110**. Preheating may reduce said re-boiler **142** duty of fractionation unit **120** (i.e., heating medium **177** temperature) and vaporizer **140** heat duty.

Part of the lean LNG coming from the cross-exchanger **108** may be returned to fractionation unit **120** as a reflux stream **128** by a diverter **170**. In particular, diverter **170** may direct a reflux stream **128** of condensed and compressed overhead product stream **179** to a top section **130** of fractionation unit **120** as top feed **118**. In one embodiment, diverter **170** may direct a reflux stream **128'** of an output stream **136** to a top section **130** of a fractionation unit **120** as top feed **118**. In one embodiment, reflux stream **128** may be comprised substantially of liquid. Reflux streams **128** or **128'** may increase propane and heavier component recovery and reduce the amount of ethane removed in fractionation unit **120**. Stream **128'** allows additional recovery of propane and heavier component recovery from the bypass rich LNG stream.

In one embodiment, bypass stream **132** of input stream **102** from LNG booster pumps may bypass cross-exchanger **108** and mix with lean LNG coming from fractionation unit **120**. In one embodiment, a mixer **160** may mix a bypass stream **132** of pressurized input stream **180** with a balance stream **134** of compressed and condensed overhead product stream **179** to produce output stream **136**. An output vaporizer **162** may vaporize output stream **136** to produce a conditioned natural gas **138** suitable for delivery to a pipeline or for commercial use.

In FIG. 3 is shown an apparatus **100** for recovery of liquefied petroleum natural gas or natural gas liquids from liquefied natural gas according to alternate embodiments of the invention.

In one embodiment, a rich LNG booster pump **178** is present to raise the rich LNG pressure in the input stream to create a pressurized input stream **180**. In one embodiment, pressurized input stream **180** may exit rich LNG booster pump **178** at a temperature in a range of -235° F. to -250° F. In a preferable embodiment, pressurized input stream **180** may exit rich LNG booster pump **178** at a temperature of about -245° F. In one embodiment, pressurized input stream **180** may exit rich LNG booster pump **178** at a pressure in a range of 700 psig to 1100 psig. In a preferable embodiment, pressurized input stream **180** may exit rich LNG booster pump **178** at a pressure of about 900 psig. In one embodiment, a diverter **158** may receive said pressurized input stream **180** and split said pressurized input stream into a direct stream **106** and a bypass stream **132**.

In one embodiment, diverter **146** splits heated rich liquefied natural gas stream **110** into three streams: a primary column feed **112**, a secondary column feed **114**, and an optional bypass stream **163** which would connect to mixer **160**. In this embodiment, mixer **160** mixes said optional bypass stream **163** with said balance portion **134** of said compressed and condensed overhead product stream **179** and said bypass stream **132** of said input stream **102** to produce said output stream **136**.

In one embodiment, primary column feed **112** flows through a control valve **181**. Control valve **181** may control the flow for the primary column feed **112** and the secondary column feed **114**. Control valve **181** may depressurize primary column feed **112** to produce depressurized primary column feed **183**. In one embodiment, control valve **181** depressurizes primary column feed **112** to a pressure in a range of 300 psig to 370 psig. In a preferable embodiment, control valve **181** depressurizes primary column feed **112** to a pressure of about 335 psig.

In one embodiment, apparatus **100** may include a re-boiler **142** adding heat to a bottom re-boil stream **144** from fractionation unit **120** and re-injecting bottom re-boil stream **144** into fractionation unit **120**. In one embodiment, re-boiler **142** may be a submerged combustion vaporizer. In one embodiment, re-boiler **142** may be coupled to a heating medium **177**. In one embodiment, re-boiler **142** has a low re-boil temperature. In one embodiment, re-boiler **142** is coupled to a low temperature heating medium. In one embodiment, said heating medium **177** comprises water. In one embodiment, said heating medium **177** comprises seawater.

In one embodiment, bottom product stream **124** and vaporized secondary column feed **116** flow through an exchanger **182**. In one embodiment, exchanger **182** may cool bottom product stream **124** by rejecting heat from bottom product stream **124** to vaporized secondary column feed **116** and produce cooled bottom product stream **186**. In one embodiment, exchanger **182** may recover heat from bottom product stream **124**, direct the heat to vaporized secondary column feed **116**, and reduce required heat input to the vaporizer **140**.

In one embodiment, an output sendout pump **164** may pressurize output stream **136** to produce pressurized output stream **184**. An output vaporizer **162** may vaporize pressurized output stream **184** to produce a conditioned natural gas **138** suitable for delivery to a pipeline or for commercial use.

In one embodiment, the NGL from fractionation unit **120** may be pumped by two pumps (a booster pump **150** and a high pressure pump **152**) to NGL pipeline pressure and enter the NGL pipeline **154**. Booster pump **150** may be used to provide the net positive suction head (NPSH) required by high pressure pump **152**.

Part of the lean LNG coming from the cross-exchanger **108** may be returned to fractionation unit **120** as a reflux stream **128** by a diverter **170**. In particular, diverter **170** may direct a reflux stream **128** of condensed and compressed overhead product stream **179** to a top section **130** of fractionation unit **120** as top feed **118**. In one embodiment, diverter **170** may direct a reflux stream **128'** of an output stream **136** to a top section **130** of a fractionation unit **120** as top feed **118**. In one embodiment, reflux stream **128** may be comprised substantially of liquid. Reflux streams **128** or **128'** may increase propane and heavier component recovery and reduce the amount of ethane removed in fractionation unit **120**. Stream **128'** allows additional recovery of propane and heavier component recovery from the bypass rich LNG stream.

In a second embodiment, a method for recovery of liquefied petroleum gas or natural gas liquids from liquefied natural gas, which may utilize apparatus **100**, may include the

steps of splitting an input stream **102** comprising substantially rich liquefied natural gas into a direct stream **106** and a bypass stream **132**, heating said direct stream **106** in a cross-exchanger **108** to produce a heated rich liquefied natural gas stream **110**, splitting said heated rich liquefied natural gas stream **110** into a primary column feed **112** and a secondary column feed **114**, vaporizing at least a major portion of said secondary column feed **114** in a vaporizer **140** to produce a vaporized secondary column feed **116**, expanding said vaporized secondary column feed in an expander **173** to produce a vaporized and expanded secondary column feed **176**, fractionating a top feed **118**, said primary column feed **112**, and said vaporized and expanded secondary column feed **176** in a fractionation unit **120** to produce an overhead product stream **122** and a bottom product stream **124**, compressing said overhead product stream **122** in a compressor **174** which is coupled to said expander **173** to produce a compressed overhead product stream **175**, condensing at least a major portion of said compressed overhead product stream **175** by cooling said compressed overhead product stream **175** in said cross-exchanger **108** to produce a compressed and condensed overhead product stream **179**, directing a reflux stream **128** of at least one of said compressed and condensed overhead product stream **179** or an output stream **136** to a top section **130** of said fractionation unit **120** as said top feed **118**, mixing said bypass stream **132** with a balance stream **134** of said condensed and compressed overhead product stream **179** to produce said output stream **136**, and vaporizing said output stream **136** to produce a conditioned natural gas **138** suitable for delivery to a pipeline or for commercial use.

In a third embodiment, an apparatus **100** for recovery of liquefied petroleum gas or natural gas liquids from liquefied natural gas comprises: a fractionation unit **120** for fractionating a top feed **118**, a primary column feed **112**, and an expanded and vaporized secondary column feed **176** and producing an overhead product stream **122** and a bottom product stream **124**, a diverter **158** for splitting an input stream **102** comprising substantially rich liquefied natural gas into a direct stream **106** and a bypass stream **132**, a compressor **174** for compressing said overhead product stream **122** and producing a compressed overhead product stream **175**, a cross-exchanger **108** receiving said direct stream **106** and heating said direct stream **106** to produce a heated rich liquefied natural gas stream **110** while condensing at least a major portion of said compressed overhead product stream **175** to produce a compressed and condensed overhead product stream **179**, a diverter **146** for splitting said heated rich liquefied natural gas stream **110** into said primary column feed **112** and a secondary column feed **114**, a vaporizer **140** for vaporizing at least a major portion of said secondary column feed **114** and producing a vaporized secondary column feed **116**, an expander **173** coupled to said compressor **174** for expanding said vaporized secondary column feed **116** and producing said vaporized and expanded secondary column feed **176**, a diverter **170** for directing a reflux stream **128** of at least one of said compressed and condensed overhead product stream **179** or diverter **170'** for directing a reflux stream **128'** from an output stream **136** to a top section **130** of said fractionation unit **120** as said top feed **118**, a mixer **160** for mixing a bypass stream **132** of said rich liquefied natural gas with a balance stream **134** of said compressed and condensed overhead product stream **179** to produce said output stream **136**, and an output vaporizer **162** for vaporizing said output stream **136** to produce a conditioned natural gas **138** suitable for delivery to a pipeline or for commercial use.

In FIG. **4** is shown an LNG handling and storage facility **300** according to a fifth embodiment of the invention. LNG

handling and storage facility **300** may include an incoming stream of LNG **310**, a ship vapor return blower **312**, LNG storage and send out pumps **314**, a boil off gas compression and condensation unit **316**, LNG booster pumps **318**, LNG vaporizers **320** providing heat for gas conditioning unit and vaporizing lean LNG to produce conditioned natural gas stream **327** suitable for delivery to a natural gas pipeline, gas conditioning process **322** for recovery of liquefied petroleum gas or natural gas liquids from liquefied natural gas, and an outgoing stream of NGL or LPG to a liquid product pipeline **326**.

In one embodiment, expander **173** expands the vaporized secondary column feed, provides power required to compress overhead product stream **122**, and keeps fractionation unit **120** operational pressure lower. The lower fractionation unit **120** operational pressure has two advantages: apparatus **100** may use a low temperature re-boiler **142** heat input that may be available from seawater, cooling tower water etc. reducing or eliminating the steam or higher temperature heat requirement, and attendant fuel. The fractionation unit **120** design pressure being lower also reduces equipment cost.

The above novel processes, methods, and apparatuses are distinctly different from other processes that demand an electric power requirement on the order of 10,000 HP to drive a compressor needed to compress flashed gas or demethanizer overhead gas in these processes for a 1 BSCFD gas facility. Several embodiments presented above may reduce overall power consumption to about 2500 HP or less, saving the overall power requirements by about 75% or more.

The foregoing has described the principles, embodiments, and modes of operation of the present invention. However, the invention should not be construed as being limited to the particular embodiments described above, as they should be regarded as being illustrative and not restrictive. It should be appreciated that variations may be made in those embodiments by those skilled in the art without departing from the scope of the present invention.

While the invention has been described in detail above, the invention is not intended to be limited to the specific embodiments as described. It is evident that those skilled in the art may now make numerous uses and modifications of and departures from the specific embodiments described herein without departing from the inventive concepts.

While various embodiments of the present invention have been described above, they should be understood to have been presented by way of examples only, and not limitation. Thus, the breadth and scope of the present invention should not be limited by the above described embodiments.

Numerous modifications and variations of the present invention are possible in light of the above teachings. It is therefore to be understood that the invention may be practiced otherwise than as specifically described herein.

What is claimed is:

1. A method for recovery of liquefied petroleum gas or natural gas liquids from liquefied natural gas, the method comprising: splitting an input stream comprising substantially rich liquefied natural gas into a direct stream and a bypass stream; heating said direct stream in a cross-exchanger to produce a heated rich liquefied natural gas stream; splitting said heated rich liquefied natural gas into a primary column feed and a secondary column feed; vaporizing at least a major portion of said secondary column feed in a vaporizer to produce a vaporized secondary column feed; expanding said vaporized secondary column feed in an expander to produce a vaporized and expanded secondary column feed; fractionating a top feed, said primary column feed, and said vaporized and expanded secondary column feed in a fraction-

ation unit to produce an overhead product stream and a bottom product stream; compressing said overhead product stream in a compressor which is coupled to said expander to produce a compressed overhead product stream; condensing at least a major portion of said compressed overhead product stream by cooling said compressed overhead product stream in said cross-exchanger to produce a compressed and condensed overhead product stream; directing a reflux stream comprising a part of both of said compressed and condensed overhead product stream and an output stream to a top of said fractionation unit as said top feed; mixing said bypass stream with a balance stream of said compressed and condensed overhead product stream to produce said output stream; and vaporizing said output stream to produce a conditioned natural gas suitable for delivery to a pipeline or for commercial use.

2. The method of claim **1**, comprising further: diverting a portion of said heated rich liquefied natural gas stream into an optional bypass stream; and mixing said optional bypass stream with said balance portion of said compressed and condensed overhead product stream and said bypass stream of said input stream to produce said output stream.

3. The method of claim **1**, comprising further: depressurizing said primary column feed with a control valve to produce a depressurized primary column feed.

4. The method of claim **1**, wherein said expander expands said vaporized secondary column feed to a pressure in a range of 300 psig to 370 psig.

5. The method of claim **3**, wherein said control valve depressurizes said primary column feed to a pressure in a range of 300 psig to 370 psig.

6. The method of claim **1**, wherein said compressor compresses said overhead product stream to a pressure in a range of 485 psig to 520 psig.

7. The method of claim **1**, wherein said fractionation unit has an operational pressure in a range of 300 psig to 370 psig.

8. The method of claim **1**, further comprising adding heat to a bottom re-boil stream from said fractionation unit and re-injecting said bottom re-boil stream into said fractionation unit with a re-boiler.

9. The method of claim **8**, wherein said re-boiler has a low re-boil temperature.

10. The method of claim **9**, wherein said re-boiler is coupled to a low temperature heating medium.

11. The method of claim **10**, wherein said heating medium comprises water.

12. The method of claim **11**, wherein said heating medium comprises seawater.

13. An apparatus for recovery of liquefied petroleum gas or natural gas liquids from liquefied natural gas, comprising: a fractionation unit for fractionating a top feed, a primary column feed, and a vaporized and expanded secondary column feed and producing an overhead product stream and a bottom product stream; a diverter for splitting an input stream comprising substantially rich liquefied natural gas into a direct stream and a bypass stream; a compressor for compressing said overhead product stream and producing a compressed overhead product stream; a cross-exchanger receiving said direct stream and heating said direct stream to produce a heated rich liquefied natural gas stream while condensing at least a major portion of said compressed overhead product stream to produce a compressed and condensed overhead product stream; a diverter for splitting said heated rich liquefied natural gas into said primary column feed and a secondary column feed; a vaporizer for vaporizing at least a major portion of said secondary column feed and producing a vapor-

11

ized secondary column feed; an expander coupled to said compressor for expanding said vaporized secondary column feed and producing said vaporized and expanded secondary column feed; a first diverter and a second diverter, said first diverter for directing a reflux stream comprising a part of said compressed and condensed overhead product stream to a top of said fractionation unit as said top feed and said second diverter for directing a reflux stream comprising a part of an output stream to said top of said fractionation unit as said top feed; a mixer for mixing a bypass stream of said rich liquefied natural gas with a balance stream of said compressed and condensed overhead product stream to produce said output stream; and an output vaporizer for vaporizing said output stream to produce a conditioned natural gas suitable for delivery to a pipeline or for commercial use.

14. The apparatus of claim 13, wherein: said diverter diverts a portion of said heated rich liquefied natural gas stream into an optional bypass stream; and said mixer mixes said optional bypass stream with said balance portion of said condensed and compressed overhead product stream and said bypass stream of said input stream to produce an output stream.

15. The apparatus of claim 13, further comprising: a control valve for depressurizing said primary column feed to produce a depressurized primary column feed.

12

16. The apparatus of claim 13, wherein said expander expands said vaporized secondary column feed to a pressure in a range of 300 psig to 370 psig.

17. The apparatus of claim 15, wherein said control valve depressurizes said primary column feed to a pressure in a range of 300 psig to 370 psig.

18. The apparatus of claim 13, wherein said compressor compresses said overhead product stream to a pressure in a range of 485 psig to 520 psig.

19. The apparatus of claim 13, wherein said fractionation unit has an operational pressure in a range of 300 psig to 370 psig.

20. The apparatus of claim 13, comprising further a re-boiler adding heat to a bottom re-boil stream from said fractionation unit and re-injecting said bottom re-boil stream into said fractionation unit.

21. The apparatus of claim 20, wherein said re-boiler has a low re-boil temperature.

22. The apparatus of claim 21, wherein said re-boiler is coupled to a low temperature heating medium.

23. The apparatus of claim 22, wherein said heating medium comprises water.

24. The apparatus of claim 23, wherein said heating medium comprises seawater.

* * * * *